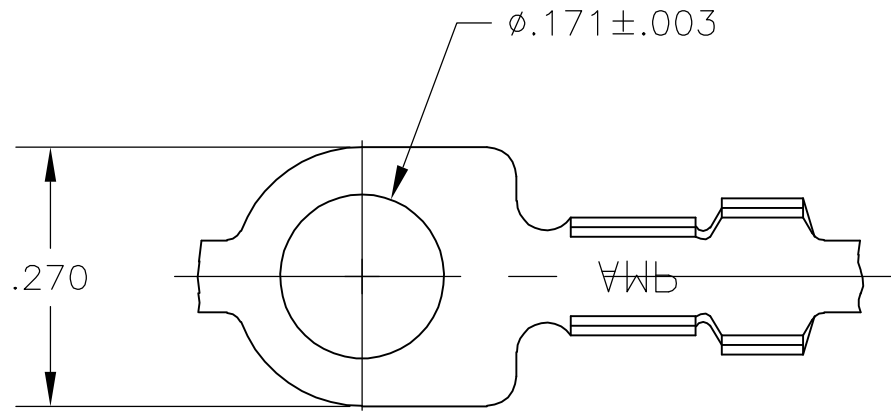
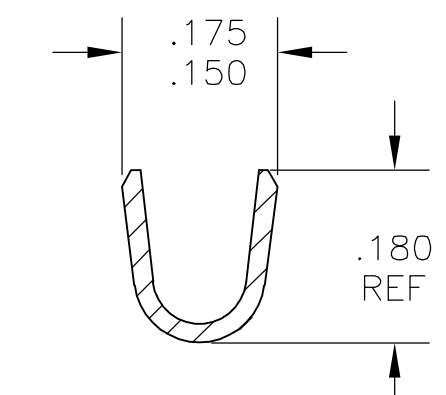
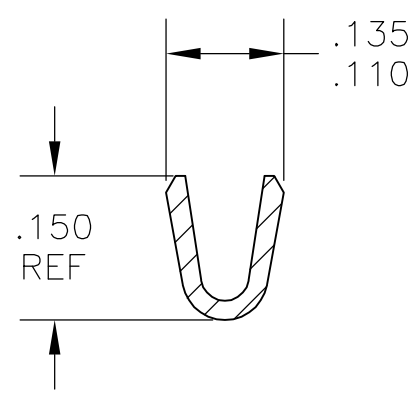
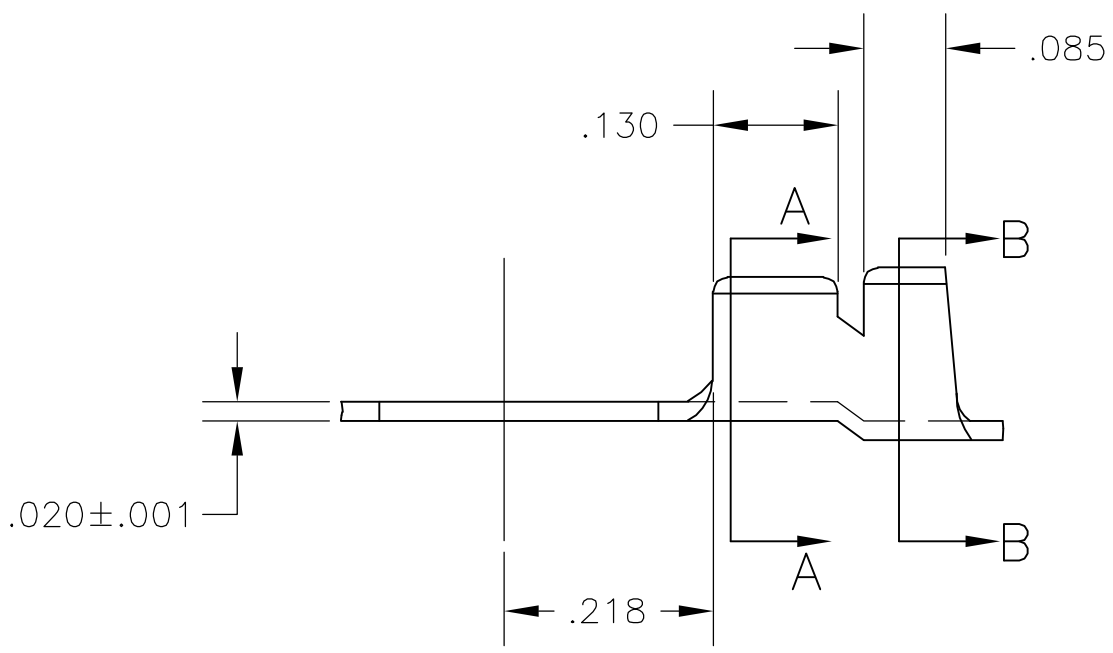


THIS DRAWING IS UNPUBLISHED. RELEASED FOR PUBLICATION
 © COPYRIGHT BY TYCO ELECTRONICS CORPORATION. ALL RIGHTS RESERVED.

LOC	DIST	REVISIONS			
P	LTR	DESCRIPTION	DATE	DWN	APVD
AF	50	A	DRAWN	-	-



- 1 CONTINUOUS STRIP ON REELS
- 2 WIRE SIZE IS #20-#16 AWG
- 3 INSULATION RANGE IS .075-.120 DIA



SECTION A-A

SECTION B-B

40888
 PART NO

THIS DRAWING IS A CONTROLLED DOCUMENT.		DWN jr_ruth 10MAR06	Tyco Electronics Corporation Harrisburg, PA 17105-3608		
DIMENSIONS: INCHES		CHK D DECKER 10MAR06			
		APVD D DECKER 10MAR06	PRODUCT SPEC		
TOLERANCES UNLESS OTHERWISE SPECIFIED:		APPLICATION SPEC	RESTRICTED TO		
0 PLC ± - 1 PLC ± - 2 PLC ± - 3 PLC ± .010 4 PLC ± - ANGLES ± 5°		WEIGHT -	SIZE A3	CAGE CODE 00779	DRAWING NO C-40888
MATERIAL 082 BRASS		FINISH .000080 MIN TIN	CUSTOMER DRAWING		
			SCALE 5:1	SHEET 1 OF 1	REV A